

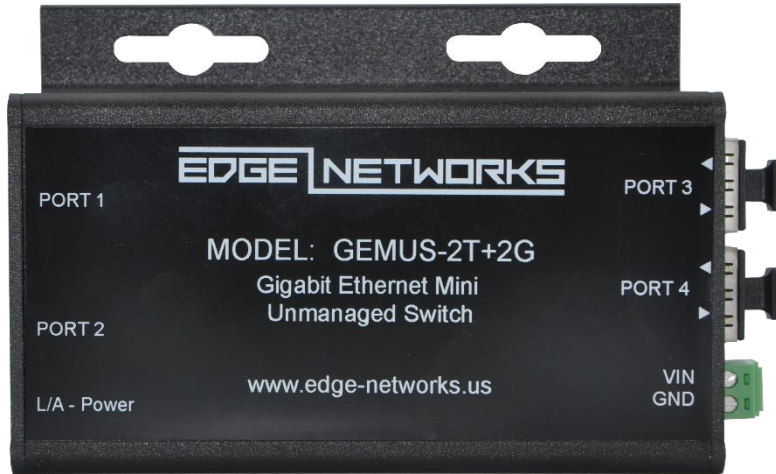
# GEMUS-2T+2G

# EDGE NETWORKS

Industrial Gigabit Ethernet  
Mini Unmanaged Switch  
with optional POE



## PRODUCT OVERVIEW



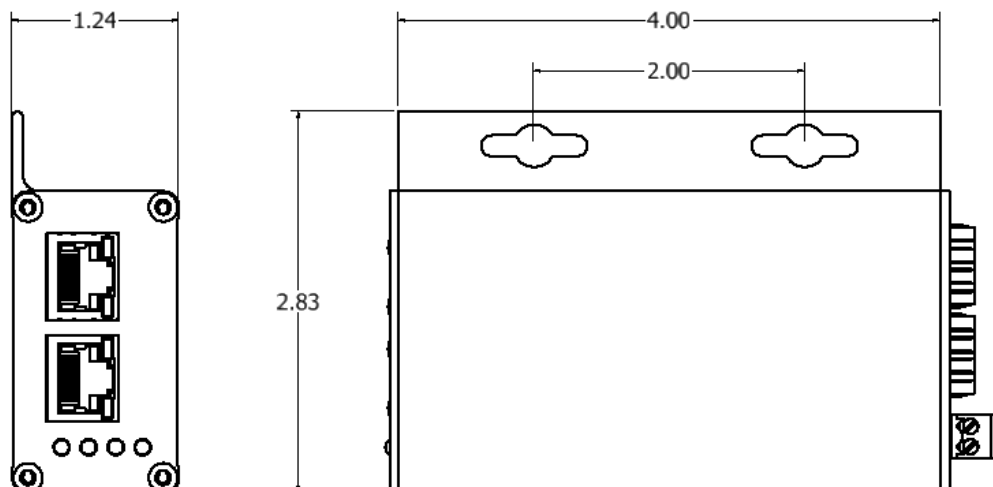
- 2x 10/100/1000 Ethernet ports
- 2x 100/1000F(x) SFP Slot – auto speed select per channel
- Optional IEEE802.3at 30W PoE per port
- Optional IEEE802.3bt 95W PoE per port
- Built for harsh environments and wide temperature range applications
- EdgeRack Mounting or wall mount



## ORDERING INFORMATION

PART CODE	DESCRIPTION
GEMUS-2T+2G	Gigabit Ethernet Mini Media Converter with 1TX and 1x100/1000 FX ports
GEMUS-2T+2G/AT	Gigabit Ethernet Mini Media Converter with 1TX and 1x100/1000 FX ports and 30W PoE per port
GEMUS-2T+2G/BT	Gigabit Ethernet Mini Media Converter with 1TX and 1x100/1000 FX ports and 95W PoE per port
RECOMMENDED ACCESSORIES	
SFP-FS2L-1313-20	SFP – 100M, SM, 2 fiber, LC, 1310 nm, 20km
SFP-GS2L-1313-20	SFP – 1000M, SM, 2 fiber, LC, 1310 nm, 20km
EdgeRack	12 slot module cage for 19" rack mounting

## OUTLINE (INCHES)



## SPECIFICATIONS

## TECHNOLOGY

Standards	IEEE 802.3 10BaseT
	IEEE 802.3u 100BaseTX
	IEEE 802.3ab 1000BaseT
	IEEE 802.3z 1000BaseX
	IEEE 802.3x Flow Control
	IEEE 802.3af Power over Ethernet
	IEEE 802.3at PoE+
IEEE 802.3bt PoE++	
Processing Type	Store and Forward

## INTERFACE

RJ45 Port	2x 10/100/1000T(x), auto negotiation speed duplex mode, auto MDI/MDI-X
Fiber Port	2x 100/1000 SFP Slot
LED Indicators	<b>GEMUS-2T+2G</b> Power, L/A (Green), Gig Speed (Amber), SFP L/A
	<b>GEMUS-2T+2G/AT</b> Power, L/A (Green), PoE (Amber), SFP L/A
	<b>GEMUS-2T+2G/BT</b> Power, L/A (Green), PoE (Amber), SFP L/A
PoE Pin Out	V+, V+, V-, V-, for pin 3, 6, 1, 2, Endspan, MDI Mode A
	V+, V+, V-, V-, for pin 7, 8, 4, 5, Endspan, MDI Mode B 4-pair mode for 802.3bt Type 4 (/BT only)
Power Connector	1x removable 2-contact terminal block

## POWER REQUIREMENTS

Operation Voltage	<b>GEMUS-2T+2G</b> 12-57VDC
	<b>GEMUS-2T+2G/AT</b> 44-57VDC, >50VDC for PoE+ recommended
	<b>GEMUS-2T+2G/BT</b> 44-57VDC, >52VDC for PoE++ recommended
Power Consumption	<1.5W
PoE Power Budget	<b>GEMUS-2T+2G/AT</b> 30W per port
	<b>GEMUS-2T+2G/BT</b> 95W per port
Protection	Overload Current Protected, Reverse Polarity Protected

## ENVIRONMENTAL LIMITS

Operating Temperature	-40°C ~ 75°C (-40°F ~ 167°F)
Storage Temperature	-40°C ~ 85°C (-40°F ~ 185°F)
Ambient Relative Humidity	5 to 95%, (non-condensing)

## SPECIFICATIONS (CONTINUED)

### MECHANICAL CONSTRUCTION

Enclosure	Aluminum
Protection Class	IP30
Dimensions (WxHxD)	4.00 x 2.83 x 1.24 inches 101.6 x 72 x 31.5 mm
Weight	0.38lbs 0.17kg
Mounting	EdgeRack or Wall Mounting

### REGULATORY APPROVALS

EMI	FCC Part 15 Subpart B Class A CE EN 55032 Class A
EMS	IEC61000-4-2 (ESD) IEC61000-4-3 (RS) IEC61000-4-4 (EFT) IEC61000-4-5 (Surge) IEC61000-4-6 (CS) IEC61000-4-8 (Magnetic Field)
Free Fall	IEC60068-2-32
Shock	IEC60068-2-27
Vibration	IEC60068-2-6
Green	RoHS Compliant
Certifications	IEC 61000-6-2 IEC 61000-6-4
MTBF	>100,000 hours
Warranty	5 Years

#### Notes:

1. In a continuing effort of improvement and updating technology, product specifications are subject to change without notice

## CONTACT US

### EMAIL

[SALES@EDGE-NETWORKS.US](mailto:SALES@EDGE-NETWORKS.US)  
[TECHSUPPORT@EDGE-NETWORKS.US](mailto:TECHSUPPORT@EDGE-NETWORKS.US)  
[CUSTOMERSERVICE@EDGE-NETWORKS.US](mailto:CUSTOMERSERVICE@EDGE-NETWORKS.US)

### WEB

[WWW.EDGE-NETWORKS.US](http://WWW.EDGE-NETWORKS.US)

### ADDRESS

412 BRANDAM LANE  
SUITE 103  
CHARLESTON, SC 29492

### PHONE

TEL: 843 654-9266  
FAX: 843 654-9267

# EDGE NETWORKS

[WWW.EDGE-NETWORKS.US](http://WWW.EDGE-NETWORKS.US)

