

GEMUS-2T+1G

EDGE NETWORKS

Industrial Gigabit Ethernet
Mini Unmanaged Switch
with optional POE



PRODUCT OVERVIEW



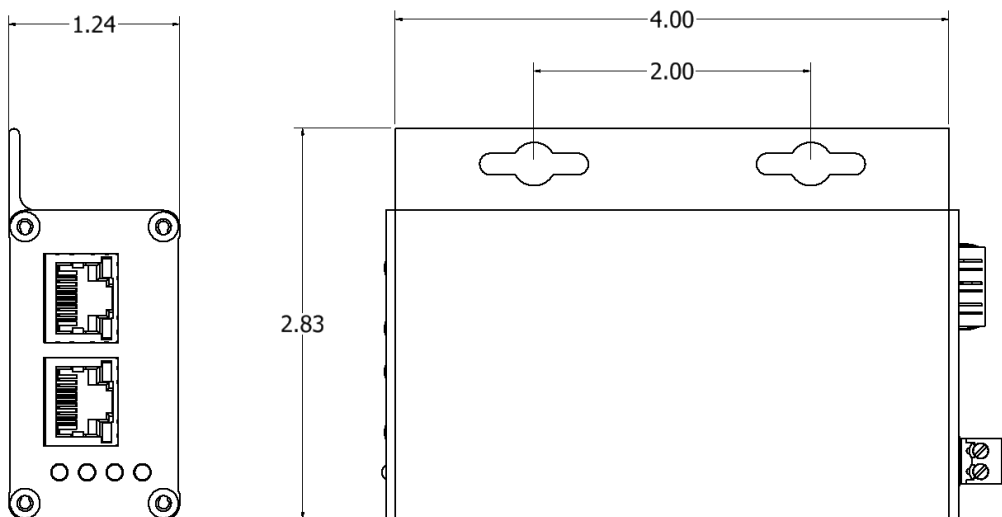
- 2x 10/100/1000 Ethernet ports
- 1x 100/1000F(x) SFP Slot – auto speed select
- Optional IEEE802.3at 30W PoE per port
- Optional IEEE802.3bt 95W PoE per port
- Built for harsh environments and wide temperature range applications
- EdgeRack Mounting or wall mount



ORDERING INFORMATION

PART CODE	DESCRIPTION
GEMUS-2T+1G	Gigabit Ethernet Mini Media Converter with 1TX and 1x100/1000 FX ports
GEMUS-2T+1G/AT	Gigabit Ethernet Mini Media Converter with 1TX and 1x100/1000 FX ports and 30W PoE per port
GEMUS-2T+1G/BT	Gigabit Ethernet Mini Media Converter with 1TX and 1x100/1000 FX ports and 95W PoE per port
RECOMMENDED ACCESSORIES	
SFP-FS2L-1313-20	SFP – 100M, SM, 2 fiber, LC, 1310 nm, 20km
SFP-GS2L-1313-20	SFP – 1000M, SM, 2 fiber, LC, 1310 nm, 20km
EdgeRack	12 slot module cage for 19" rack mounting

OUTLINE (INCHES)



SPECIFICATIONS

TECHNOLOGY

Standards	IEEE 802.3 10BaseT
	IEEE 802.3u 100BaseTX
	IEEE 802.3ab 1000BaseT
	IEEE 802.3z 1000BaseX
	IEEE 802.3x Flow Control
	IEEE 802.3af Power over Ethernet
	IEEE 802.3at PoE+
IEEE 802.3bt PoE++	

Processing Type	Store and Forward
-----------------	-------------------

INTERFACE

RJ45 Port	2x 10/100/1000T(x), auto negotiation speed duplex mode, auto MDI/MDI-X
Fiber Port	1x 100/1000 SFP Slot
LED Indicators	GEMUS-2T+1G Power, L/A (Green), Gig Speed (Amber), SFP L/A
	GEMUS-2T+1G/AT Power, L/A (Green), PoE (Amber), SFP L/A
	GEMUS-2T+1G/BT Power, L/A (Green), PoE (Amber), SFP L/A
PoE Pin Out	V+, V+, V-, V-, for pin 3, 6, 1, 2, Endspan, MDI Mode A
	V+, V+, V-, V-, for pin 7, 8, 4, 5, Endspan, MDI Mode B 4-pair mode for 802.3bt Type 4 (/BT only)
Power Connector	1x removable 2-contact terminal block

POWER REQUIREMENTS

Operation Voltage	GEMUS-2T+1G	12-57VDC
	GEMUS-2T+1G/AT	44-57VDC, >50VDC for PoE+ recommended
	GEMUS-2T+1G/BT	44-57VDC, >52VDC for PoE++ recommended
Power Consumption		<1.5W
PoE Power Budget	GEMUS-2T+1G/AT	30W per port
	GEMUS-2T+1G/BT	95W per port
Protection	Overload Current Protected, Reverse Polarity Protected	

ENVIRONMENTAL LIMITS

Operating Temperature	-40°C ~ 75°C (-40°F ~ 167°F)
Storage Temperature	-40°C ~ 85°C (-40°F ~ 185°F)
Ambient Relative Humidity	5 to 95%, (non-condensing)

SPECIFICATIONS (CONTINUED)

MECHANICAL CONSTRUCTION

Enclosure	Aluminum
Protection Class	IP30
Dimensions (WxHxD)	4.00 x 2.83 x 1.24 inches 101.6 x 72 x 31.5 mm
Weight	0.38lbs 0.17kg
Mounting	EdgeRack or Wall Mounting

REGULATORY APPROVALS

EMI	FCC Part 15 Subpart B Class A CE EN 55032 Class A
EMS	IEC61000-4-2 (ESD) IEC61000-4-3 (RS) IEC61000-4-4 (EFT) IEC61000-4-5 (Surge) IEC61000-4-6 (CS) IEC61000-4-8 (Magnetic Field)
Free Fall	IEC60068-2-32
Shock	IEC60068-2-27
Vibration	IEC60068-2-6
Green	RoHS Compliant
Certifications	IEC 61000-6-2 IEC 61000-6-4
MTBF	>100,000 hours
Warranty	5 Years

Notes:

1. In a continuing effort of improvement and updating technology, product specifications are subject to change without notice

CONTACT US

EMAIL

SALES@EDGE-NETWORKS.US
TECHSUPPORT@EDGE-NETWORKS.US
CUSTOMERSERVICE@EDGE-NETWORKS.US

WEB

WWW.EDGE-NETWORKS.US

ADDRESS

412 BRANDAM LANE
SUITE 103
CHARLESTON, SC 29492

PHONE

TEL: 843 654-9266
FAX: 843 654-9267

EDGE NETWORKS

WWW.EDGE-NETWORKS.US

