

Industrial Gigabit Ethernet Mini Media Converter with optional POE



PRODUCT OVERVIEW



- 1x 10/100/1000 Ethernet port
- 1x 100/1000F(x) SFP Slot – auto speed select
- Optional IEEE802.3at 30W PoE
- Optional IEEE802.3bt 95W PoE
- Built for harsh environments and wide temperature range applications
- EdgeRack Mounting or wall mount

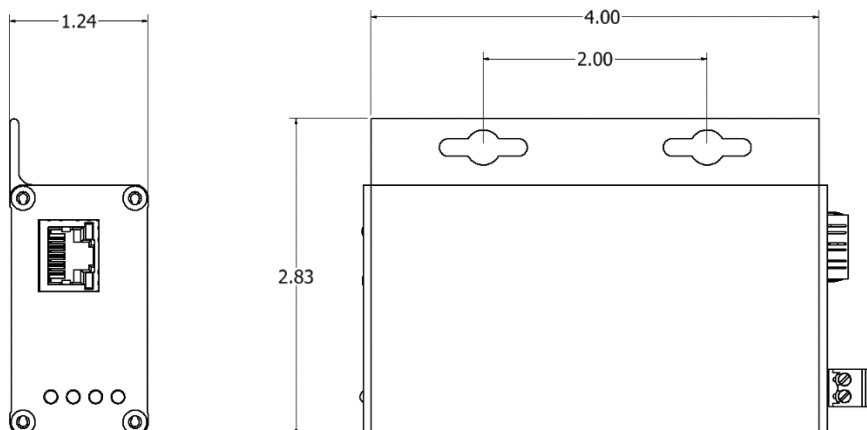


ORDERING INFORMATION

PART CODE	DESCRIPTION
GEMMC	Gigabit Ethernet Mini Media Converter with 1TX and 1x100/1000 FX ports
GEMMC/AT	Gigabit Ethernet Mini Media Converter with 1TX and 1x100/1000 FX ports and 30W PoE
GEMMC/BT	Gigabit Ethernet Mini Media Converter with 1TX and 1x100/1000 FX ports and 95W PoE

RECOMMENDED ACCESSORIES	
SFP-FS2L-1313-20	SFP – 100M, SM, 2 fiber, LC, 1310 nm, 20km
SFP-GS2L-1313-20	SFP – 1000M, SM, 2 fiber, LC, 1310 nm, 20km
EdgeRack	12 slot module cage for 19" rack mounting

OUTLINE (INCHES)



SPECIFICATIONS

TECHNOLOGY

Standards	IEEE 802.3 10BaseT
	IEEE 802.3u 100BaseTX
	IEEE 802.3ab 1000BaseT
	IEEE 802.3z 1000BaseX
	IEEE 802.3x Flow Control
	IEEE 802.3af Power over Ethernet
	IEEE 802.3at PoE+ IEEE 802.3bt PoE++

Processing Type	Store and Forward
-----------------	-------------------

INTERFACE

RJ45 Port	1x 10/100/1000T(x), auto negotiation speed duplex mode, auto MDI/MDI-X	
Fiber Port	1x 100/1000 SFP Slot	
LED Indicators	GEMMC	Power, L/A (Green), Gig Speed (Amber), SFP L/A
	GEMMC/AT	Power, L/A (Green), PoE (Amber), SFP L/A
	GEMMC/BT	Power, L/A (Green), PoE (Amber), SFP L/A
PoE Pin Out	V+, V+, V-, V-, for pin 3, 6, 1, 2, Endspan, MDI Mode A	
	V+, V+, V-, V-, for pin 7, 8, 4, 5, Endspan, MDI Mode B 4-pair mode for 802.3bt Type 4 (/BT only)	
Power Connector	1x removable 2-contact terminal block	

POWER REQUIREMENTS

Operation Voltage	GEMMC	12-57VDC
	GEMMC/AT	44-57VDC, >50VDC for PoE+ recommended
	GEMMC/BT	44-57VDC, >52VDC for PoE++ recommended
Power Consumption	<1.5W	
PoE Power Budget	GEMMC/AT	30W
	GEMMC/BT	95W
Protection	Overload Current Protected, Reverse Polarity Protected	

ENVIRONMENTAL LIMITS

Operating Temperature	-40°C ~ 75°C (-40°F ~ 167°F)
Storage Temperature	-40°C ~ 85°C (-40°F ~ 185°F)
Ambient Relative Humidity	5 to 95%, (non-condensing)

SPECIFICATIONS (CONTINUED)**MECHANICAL CONSTRUCTION**

Enclosure	Aluminum
Protection Class	IP30
Dimensions (WxHxD)	4.00 x 2.83 x 1.24 inches 101.6 x 72 x 31.5 mm
Weight	0.38lbs 0.17kg
Mounting	EdgeRack or Wall Mounting

REGULATORY APPROVALS

EMI	FCC Part 15 Subpart B Class A CE EN 55032 Class A
EMS	IEC61000-4-2 (ESD) IEC61000-4-3 (RS) IEC61000-4-4 (EFT) IEC61000-4-5 (Surge) IEC61000-4-6 (CS) IEC61000-4-8 (Magnetic Field)
Free Fall	IEC60068-2-32
Shock	IEC60068-2-27
Vibration	IEC60068-2-6
Green	RoHS Compliant
Certifications	IEC 61000-6-2 IEC 61000-6-4
MTBF	>100,000 hours
Warranty	5 Years

Notes:

1. In a continuing effort of improvement and updating technology, product specifications are subject to change without notice

CONTACT US**EMAIL**

SALES@EDGE-NETWORKS.US
TECHSUPPORT@EDGE-NETWORKS.US
CUSTOMERSERVICE@EDGE-NETWORKS.US

WEB

WWW.EDGE-NETWORKS.US

ADDRESS

412 BRANDAM LANE
SUITE 103
CHARLESTON, SC 29492

PHONE

TEL: 843 654-9266
FAX: 843 654-9267

EDGE NETWORKS

WWW.EDGE-NETWORKS.US

