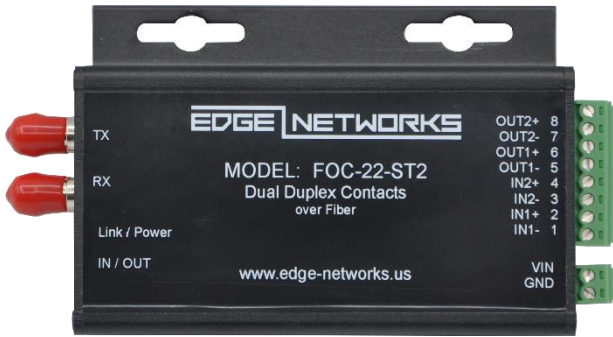


Fiber Optic Dual Duplex Contact Closure Modem



PRODUCT OVERVIEW



- Dual Duplex Isolated Contacts
- UL1577 Isolated inputs and outputs
- 60V / 2A output rating
- Multi-mode and Single mode support
- 1 or 2 fibers, ST / SC connectors
- Contact Status LED indicators
- Point to Point applications up to 20KM
- EDGE-RACK compatible

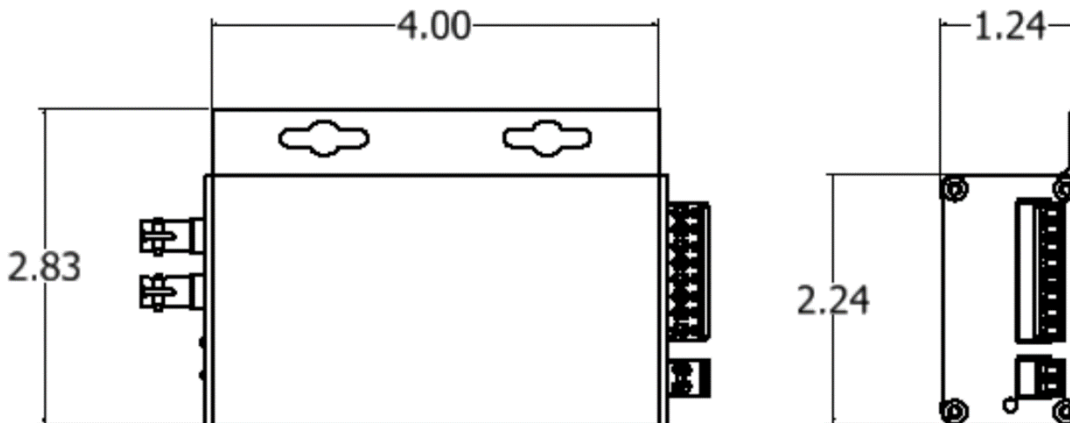
ORDERING INFORMATION

PART CODE	DESCRIPTION
FOC-22-ST2	Fiber Optic Data Modem, ST connectors, 2 fiber
FOC-22-STA	Fiber Optic Data Modem, ST connectors, 1 fiber, 1310nm TX
FOC-22-STB	Fiber Optic Data Modem, ST connectors, 1 fiber, 1550nm TX
FOC-22-SC2	Fiber Optic Data Modem, ST connectors, 2 fiber
FOC-22-SCA	Fiber Optic Data Modem, ST connectors, 1 fiber, 1310nm TX
FOC-22-SCB	Fiber Optic Data Modem, ST connectors, 1 fiber, 1550nm TX

RECOMMENDED ACCESSORIES

PS12-12W-W	Power Supply 12V, 1A, 12W, Wall mount
EDGE-RACK	2RU, 12-slot Module Rack

OUTLINE (INCHES)



SPECIFICATIONS

ELECTRICAL

Contacts

Inputs	2 x Dry Contact Isolated inputs 10mA – “on” current Isolation: 5000 VAC rms
Outputs	2 x Isolated Outputs Vmax: 60V Imax: 2A Pmax: 250mW Ron: 0.25 Ohms Isolation: 5300 Vrms @ 1 sec
Input to Output Delay	10mS max
Interface	Removable, 8 contact screw terminal connector

Power Supply

Operation Voltage	8 – 58 VDC
Power Consumption	<1W
Protection	Overload Current Protected, Reverse Polarity Protected
Power Connector	Removable, 2 contact screw terminal connector

Indicator LEDs	Power (green) Optical Link (red / green) Contact in, Contact out (green)
----------------	--

OPTICAL

Wavelength	FOC-ST2/ FOC-SC2	TX: 1310nm, RX 1310nm
	FOC-STA / FOC-SCA	TX: 1310nm, RX 1550nm
	FOC-STB / FOC-SCB	TX: 1550nm, RX 1310nm
Connector(s)	FOC-STx	ST type TIA-604-2 FOCIS compatible
	FOC-SCx	SC type: TIA-603-3 FOCIS compatible
Number of Fibers	FOC-ST2/ FOC-SC2	2
	FOC-STA / FOC-SCA	1
	FOC-STB / FOC-SCB	1
Optical Emitter	Laser Diode – Class 1	
TX Launch Power	-15dBm (min) to -6dBm (max)	
RX Sensitivity	-34dBm	
Optical Loss budget	19dB (min)	

ENVIRONMENTAL LIMITS

Operating Temperature	-40°C ~ 75°C (-40°F ~ 167°F)
Storage Temperature	-40°C ~ 85°C (-40°F ~ 185°F)
Ambient Relative Humidity	5 to 95%, (non-condensing)

SPECIFICATIONS (CONTINUED)

MECHANICAL CONSTRUCTION

Enclosure	Aluminum
Protection Class	IP30
Dimensions (WxHxD)	4.00 x 2.83 x 1.22 inches
Weight	< 1lb
Mounting	Wall Mounting / EdgeRack compatible

REGULATORY APPROVALS

EMI	FCC Part 15 Subpart B Class A
MTBF	>100,000 hours
Warranty	5 Years

PINOUTS AND LED INDICATORS

	Contact	LED Indicator	OFF	RED	GREEN		
					Steady	Slow	Fast
		Power	No Power	X	Power Good	X	X
		Link	X	Fiber Loss	Fiber Good	X	X
		IN	Both Contacts Open	X	Both Contacts Closed	Contact 1 Closed	Contact 2 Closed
		OUT	Both Contacts Open	X	Both Contacts Closed	Contact 1 Closed	Contact 2 Closed

- Notes:
- In a continuing effort of improvement and updating technology, product specifications are subject to change without notice

CONTACT US

EMAIL

SALES@EDGE-NETWORKS.US
 TECHSUPPORT@EDGE-NETWORKS.US
 CUSTOMERSERVICE@EDGE-NETWORKS.US

WEB

WWW.EDGE-NETWORKS.US

ADDRESS

412 BRANDAM LANE
 SUITE 103
 CHARLESTON, SC 29492

PHONE

TEL: 843 654-9266
 FAX: 843 654-9267

EDGE NETWORKS

WWW.EDGE-NETWORKS.US

